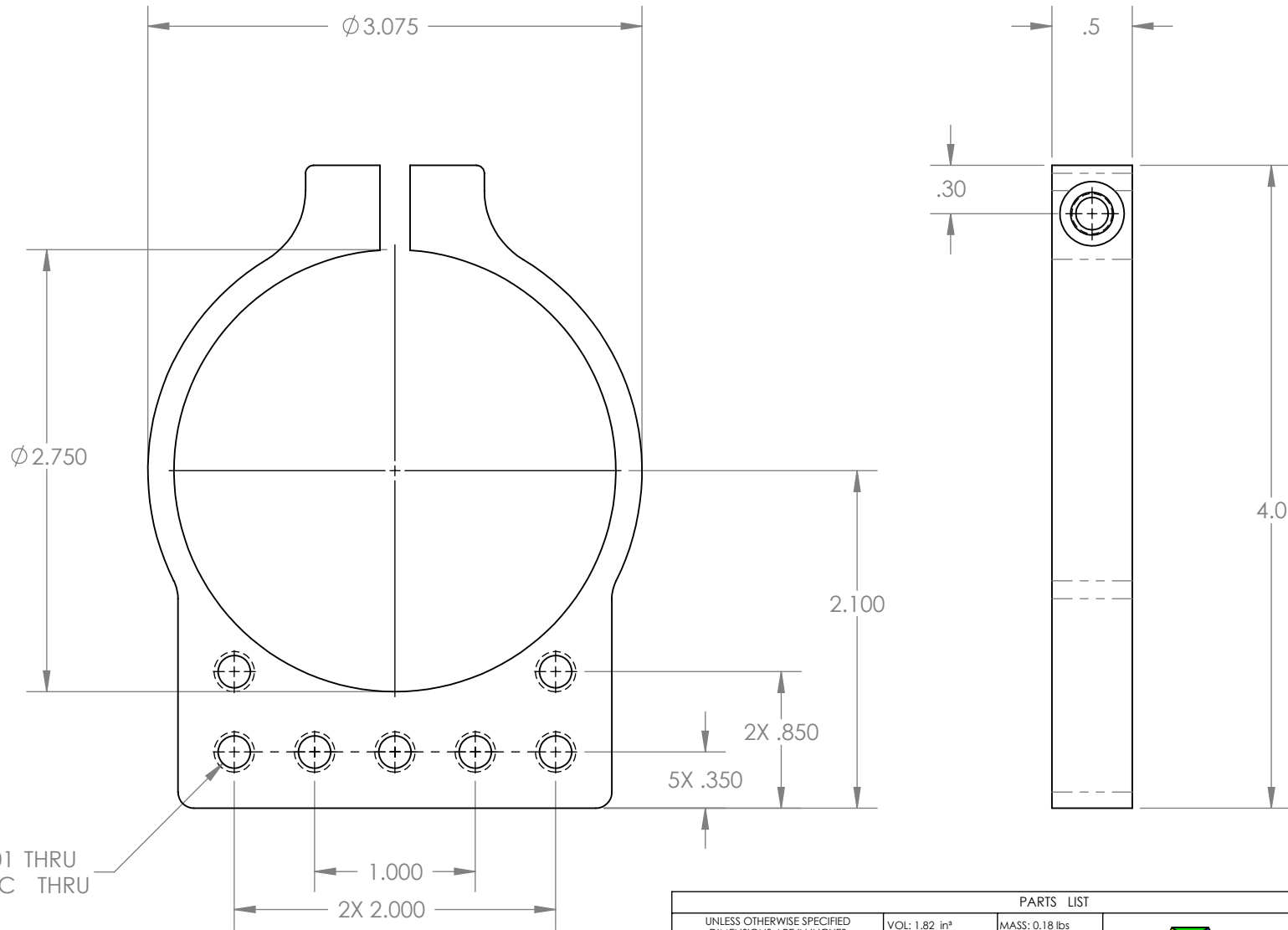


PROPRIETARY AGREEMENT  
 THIS INFORMATION CONTAINED IN THIS DRAWING IS THE SOLE PROPERTY OF MBE CONTROL SOLUTIONS. ANY  
 REPRODUCTION IN PART OR AS A WHOLE WITHOUT THE WRITTEN PERMISSION OF MBE CONTROL SOLUTIONS IS PROHIBITED.

REVISIONS			
REV.	DESCRIPTION	DATE	APPROVED
1	INITIAL RELEASE	12.07.02	GM

D  
C  
B  
A


D  
C  
B  
A



5X  $\phi$  .201 THRU  
 1/4-20 UNC THRU

NOTES (UNLESS OTHERWISE SPECIFIED):

- MATERIAL: ALUMINUM
- FINISH: BLACK ANODIZE

PARTS LIST			
UNLESS OTHERWISE SPECIFIED DIMENSIONS ARE IN INCHES TOLERANCES ARE: .XXX = ±0.005 .XX = ±0.01 .X = ±0.1 ANGLES = ±0.5° MACHINED SURFACES: 63/ BREAK SHARP EDGES: .02	VOL: 1.82 in³	MASS: 0.18 lbs	 <b>MBEcontrol.com</b> 6483 CALLE REAL SUITE F - GOLETA, CA 93117 - (805) 683-3152
	CAD GENERATED DRAWING, DO NOT MANUALLY UPDATE		
	APPROVALS	DATE	
MATERIAL SEE NOTES	DRAWN G MILLOS	12.07.02	<b>CUSTOMER DRAWING FC 275</b>
FINISH SEE NOTES	CHECKED -	YY.MM.DD	
	RESP ENG -	YY.MM.DD	
	MFG ENG -	YY.MM.DD	
	QUAL ENG -	YY.MM.DD	
DO NOT SCALE DRAWING INTERPRET PER ANSI Y14.5M-2009			SIZE <b>A</b> DWG. NO. <b>FC 275</b> REV. <b>1</b> SCALE: 1:1 FILENAME: FC 275 SHEET 1 OF 1

8 7 6 5 4 3 2 1