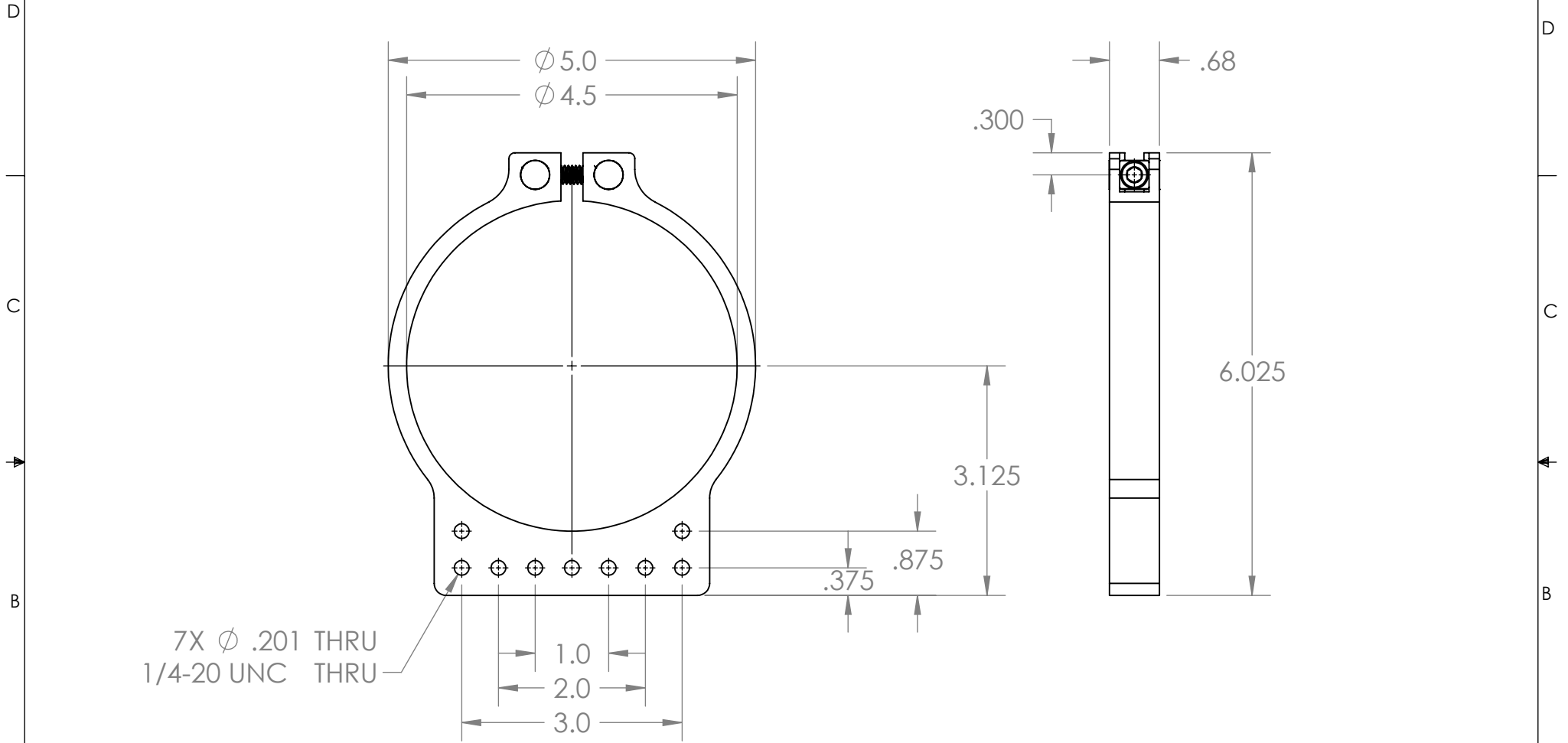



PROPRIETARY AGREEMENT
 THIS INFORMATION CONTAINED IN THIS DRAWING IS THE SOLE PROPERTY OF MBE CONTROL SOLUTIONS. ANY
 REPRODUCTION IN PART OR AS A WHOLE WITHOUT THE WRITTEN PERMISSION OF MBE CONTROL SOLUTIONS IS PROHIBITED.

REVISIONS			
REV.	DESCRIPTION	DATE	APPROVED
1	INITIAL RELEASE	13.07.23	GM



7X ϕ .201 THRU
 1/4-20 UNC THRU

- NOTES (UNLESS OTHERWISE SPECIFIED):
- MATERIAL: ALUMINUM
 - FINISH: BLACK ANODIZE

PARTS LIST			
UNLESS OTHERWISE SPECIFIED DIMENSIONS ARE IN INCHES TOLERANCES ARE: .XXX = ±.005 .XX = ±.01 .X = ±.1 ANGLES = ±.5° MACHINED SURFACES: 63/ BREAK SHARP EDGES: .02	VOL: 4.879 in³	MASS: 0.512 lbs	 MBEcontrol.com 6483 CALLE REAL SUITE F - GOLETA, CA 93117 - (805) 683-3152
	CAD GENERATED DRAWING, DO NOT MANUALLY UPDATE		
MATERIAL SEE BOM	APPROVALS	DATE	CUSTOMER DRAWING FC 450
FINISH SEE NOTES	DRAWN G MILLOS	13.07.23	
DO NOT SCALE DRAWING INTERPRET PER ANSI Y14.5M-2009	CHECKED -	YY.MM.DD	
	RESP ENG G MILLOS	13.07.23	
	MFG ENG -	YY.MM.DD	SIZE A
	QUAL ENG -	YY.MM.DD	DWG. NO. FC 450
			SCALE: 1:2
			FILENAME: FC-450
			SHEET 1 OF 1
			REV. 1