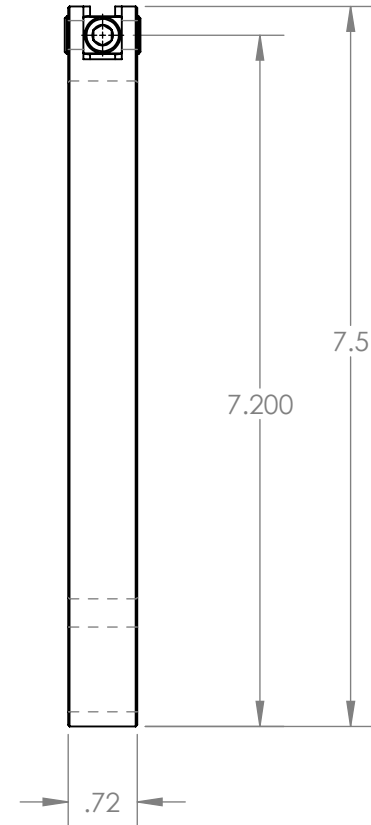
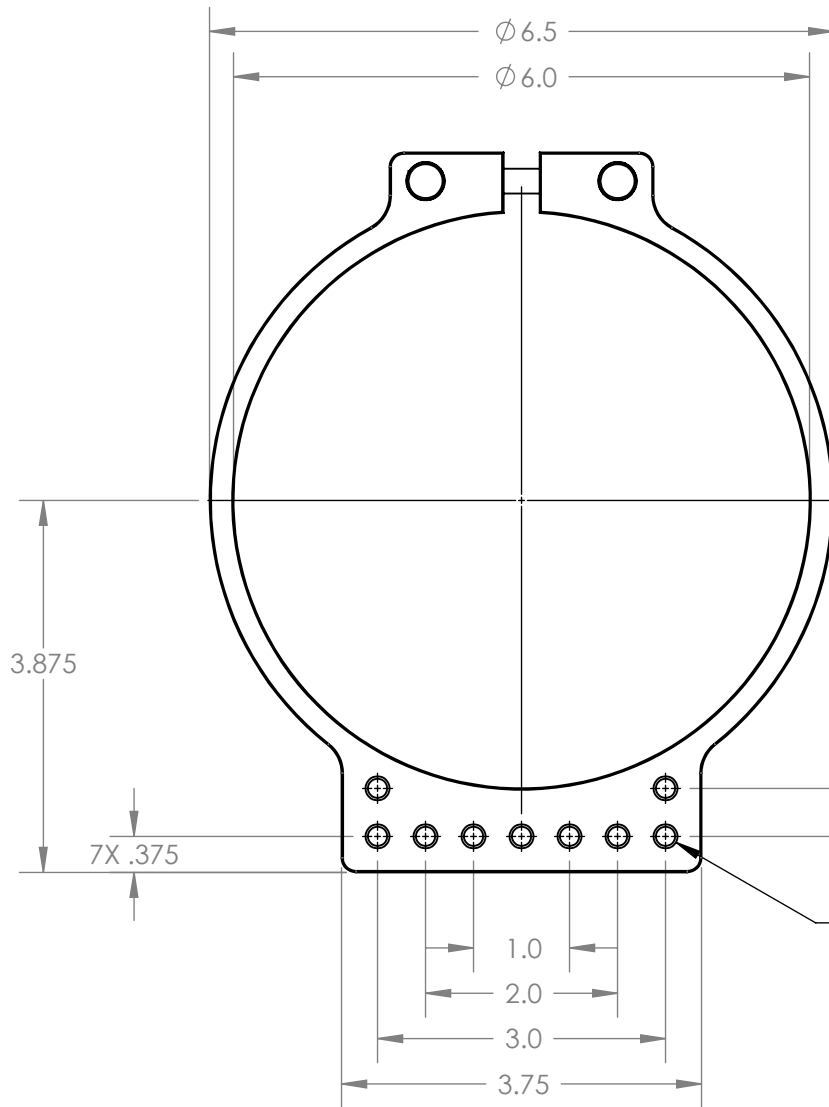


PROPRIETARY AGREEMENT
 THIS INFORMATION CONTAINED IN THIS DRAWING IS THE SOLE PROPERTY OF RIBER CONTROL SOLUTIONS. ANY
 REPRODUCTION IN PART OR AS A WHOLE WITHOUT THE WRITTEN PERMISSION OF RIBER CONTROL SOLUTIONS IS PROHIBITED.

REVISIONS			
REV.	DESCRIPTION	DATE	APPROVED
3	ADD MISSING HOLE CALLOUT	18.01.11	GM




9X ϕ .201 THRU ALL
 1/4-20 UNC THRU ALL
 \checkmark ϕ .251 X 90°, NEAR SIDE
 \checkmark ϕ .251 X 90°, FAR SIDE

CUSTOMER OUTLINE DRAWING: NOT FOR FABRICATION

NOTES (UNLESS OTHERWISE SPECIFIED):

- MATERIAL: ALUMINUM
- FINISH: BLACK ANODIZE

PARTS LIST			
UNLESS OTHERWISE SPECIFIED DIMENSIONS ARE IN INCHES TOLERANCES ARE: .XXX = ±.005 .XX = ±.01 .X = ±.1 ANGLES = ±.5° MACHINED SURFACES: 63/ BREAK SHARP EDGES: .02	VOL: 6.094 in³	MASS: 0.645 lbs	 137B AERO CAMINO - GOLETA, CA 93117 - (805) 683-3152
	CAD GENERATED DRAWING, DO NOT MANUALLY UPDATE		
MATERIAL SEE BOM	APPROVALS	DATE	FLANGE CLAMP FC-600 SIZE A DWG. NO. FC-600 REV. 3
FINISH SEE NOTES	DRAWN G MILLOS	13.09.17	
DO NOT SCALE DRAWING INTERPRET PER ANSI Y14.5M-2009	CHECKED -	YY.MM.DD	
	RESP ENG G MILLOS	13.09.17	
	MFG ENG -	YY.MM.DD	
	QUAL ENG -	YY.MM.DD	SCALE: 1:2 FILENAME: FC-600-3 SHEET 1 OF 1

10-0019-3 18.01.11 FLANGE - CLAMP - FC-600 1/11/2018